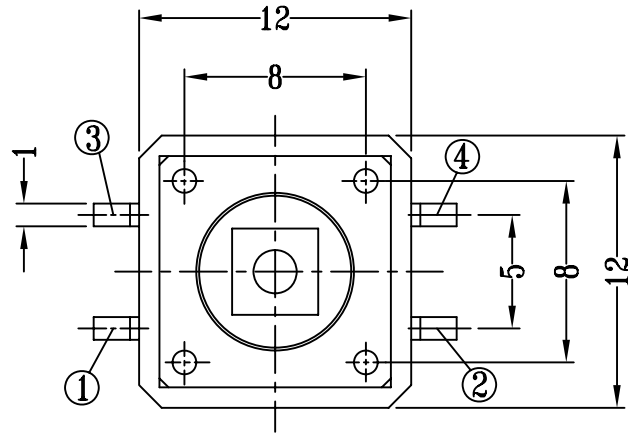
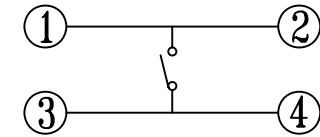


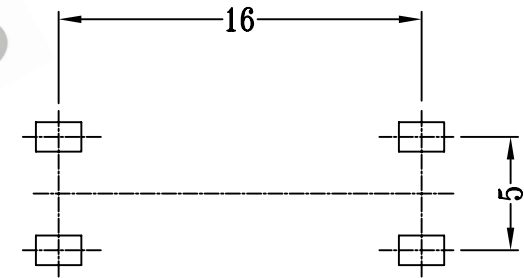
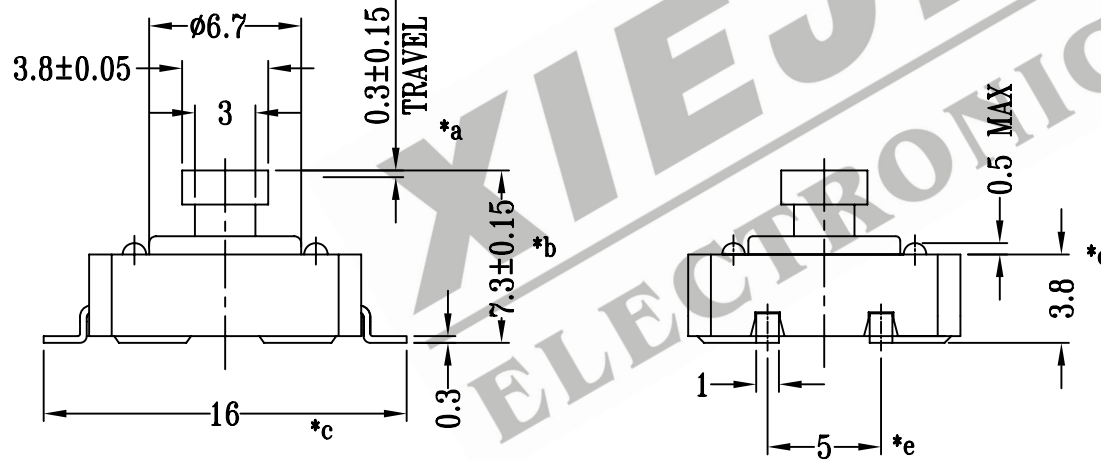
CAD FILE:



OPERATING FORCE	CODE
160 gf	X
250 gf	Z



SCHMATIC



P.C.B LAYOUT

注:带*表示关键尺寸(5个)

NO.	PARTS	MATERIALS	Q'TY	FINISH	TOLERANCE UNLESS SPECIFIED	SHENZHEN XIEJIA ELECTRONICS CO.,LTD.				
8					WITHIN: 1.5±0.1mm OVER: 1.5±0.2mm	ISSUE	DATE	DESCRIPTIONS OF REVISION		APPD.
7				TITLE : TACT SWITCH		UNIT : mm	DRWG NO.: XJ-DR-TD12XT-00			
6				MODEL: TD-12XT		SCALE: 3:1	CHK'D	ZHOUYU	2003-10-8	
5					ALL MATERIALS MUST BE COMPLIANT TO ROHS	APPD.	KANGXINAN	2003-10-8		
4	COVER	PET	1	CLEAR						
3	KNOB	POM	1	BLACK						
2	CONTACT	PBS	1	Ag CLAD						
1	CASE	NYLON/BRASS STRIP	1	BLACK/Ag PLATED						